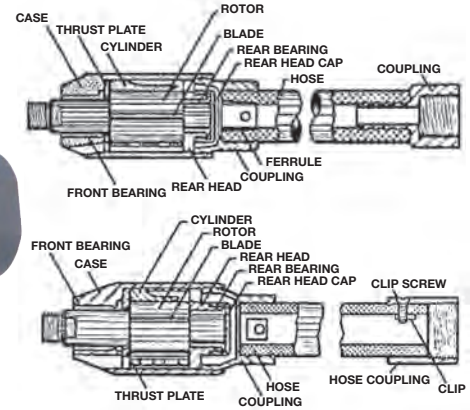


4000 Series Motors

4000 Series Motors

4000 series motors, components and (ordering numbers).



Motor Number	Motor O.D.	Tube I.D.	Case	Cylinder	Rear Head	Machine Coupling	Rotor	Blades (Qty.)	Thrust Plate	Front Bearing	Rear Bearing	Rear Head Cap	Front Dowel	Rear Dowel	Tail Hose Assembly*	Shaft Wrench	Rotor Thread	Hose Size
4250 (4080300)	1-7/8"	2-1/4 X 15R 2-15/16 X 12R 2-1/2 X 15R	42501 (1162700)	42502 (1162900)	42503 (1163000)	42504 (1163100)	42505 (1163700)	4406 (4) (1081300)	2307 (1053800)	4408 (1081400)	42509 (1163800)	4413 (1081500)	32011 (1142000)	42512 (1163900)	Line A Below	5/8" (14-0810)	5/8" N.C.	1/2"
4300 (4080500)	2-1/4"	2-5/8 X 24R 2-3/4 X 12R	43001 (1164400)	43002 (1164800)	43003 (1164900)	43004 (1165000)	43005 (1165500)	3306 (5) (1072600)	3307 (1072700)	3308 (1072800)	32009 (1141900)	3213 (1071300)	43011 (1165700)	43012 (1165800)	Line B Below	3/4" (14-0812)	3/4" N.C.	3/4"
4325 (4080700)	2-1/2"	2-7/8 X 28R 3 X 16R	43251 (1166800)	43252 (1167000)	43253 (1167100)	43254 (1167200)	43255 (1167900)	3206 (5) (1071100)	3207 (1071200)	3308 (1072800)	32009 (1141900)	3213 (1071300)	43211 (1166600)	43212 (1166700)	Line B Below	3/4" (14-0812)	3/4" N.C.	3/4"
4350 (4080800)	2-3/4"	3-1/4 X 16R 3-1/2 X 20R	43501 (1168100)	43502 (1168200)	43503 (1168300)	43504 (1168400)	43505 (1168800)	3706 (5) (1077900)	3307 (1078000)	3708 (1078100)	32759 (1146700)	213 (1022300PT)	32311 (1143900)	43512 (1168900)	Line B Below	7/8" (14-0814)	7/8" N.C.	1"
4450 (4081100)	3-1/8"	4 X 15R	44501 (1169800)	44502 (1170200)	44503 (1170300)	44504 (1170400)	44505 (1170600)	4706 (5) (1082900)	507 (1026400)	4708 (1083000PT)	33009 (1147500)	713 (1030700)	33212 (1148300)	44512 (1170700)	Line B Below	7/8" (14-0814)	7/8" N.C.	1"
4481 (4081400)	3-3/4"	4-13/16 X 18R	44811 (1170800)	44812 (1170900)	34003 (1151200)	34004 (1151300)	44815 (1171100)	5006 (5) (1083700)	34007 (1151800)	5008 (1083800)	33009 (1147500)	713 (1030700)	33212 (1148300)	44512 (1170700)	Not Req'd	1-1/8" (3241800)	1-1/8" N.C.	1"
4600 (4081800)	5"	5-3/4 X 72R 6 X 26R	46001 (1171900)	44812 (1170900)	34003 (1151200)	34004 (1151300)	44815 (1171100)	5006 (5) (1083700)	34007 (1151800)	5008 (1083800)	33009 (1147500)	713 (1030700)	33212 (1148300)	44512 (1170700)	Not Req'd	1-1/8" (3241800)	1-1/8" N.C.	1"

*Includes Machine Coupling
Motors are supplied with ribs or rib cage for tube/pipe sizes larger than 6" ID.

Line Number	Tap Size	Tail Hose	Hose Coupling	Clip	Screw	Ferrule
A	1/2"	4415 (1081600)	4116 (1079000)	-	-	4418 (1081700)
B	1"	3315 (1072900)	3316 (1073100PT)	3317 (1073200)	3318 (8010065)	-



Accessory Heavy Duty Screw Type Tail Hose Assemblies with Wire Inserted Hose and Spring Protector for 4000 Series Motors

Tail Hose Assembly	Used With Motor Assembly	Machine Coupling	Hose Coupling	Hose Pipe Tap	Compression Nut	Compression Ferrule	Compression Sleeve	Hose	Spring
		Detail #	1	2	3	4	5	6	7
		Qty. Required	1	1	2	2	2	1	1
425019 HD (4092100)	4250	42504 KB (1716866)	425016 (1186900)	1/2"	42504 C (1163300)	42504 D (1163400)	42504 E (1163500)	425015 (1186800)	425017 (1186950)
430019 HD (4092200)	4300	43004 B (1165000)	432516 (1187300)	3/4"	43254 C (1167400)	43254 D (1167500)	43254 E (1167600)	432515 K (1187250)	43254 K (1167700)
432519 HD (4092350)	4325	43254 KB (1167800)	432516 (1187300)	3/4"	43254 C (1167400)	43254 D (1167500)	43254 E (1167600)	432515 K (1187250)	43254 K (1167700)
435019 HD (4092400)	4350	43504 B (1168500)	435016 (1187600PT)	1"	43504 C (1168600)	43254 D (1167500)	43254 E (1167600)	432515 K (1187250)	43254 K (1167700)
445019 HD (4092500)	4450	44504 B (1170500)	435016 (1187600PT)	1"	43504 C (1168600)	43254 D (1167500)	43254 E (1167600)	432515 K (1187250)	43254 K (1167700)
460019 HD (4092501)	4600	46004 B (1171950)	460016 (1188010)	1"	46004 C (1171960)	46004 D (1171970)	46004 E (1171980)	460015 K (1188020)	46004 K (1171471)